

Turning Movement Summary Diagram

Reference No.: 990133

Intersection of:
2A & 27 AT OLDS

2015 AADT / ASDT ESTIMATES

North On 2A		
Vehicle Type	Vol	%
A: Passenger Vehicle	4337	91.5
B: Recreational Vehicle	30	0.6
C: Bus	11	0.2
D: Single Unit Truck	221	4.7
E: Tractor Trailer Unit	141	3.0
ASDT	4980	AADT
		4740

West On 27		
Vehicle Type	Vol	%
A: Passenger Vehicle	10878	92.0
B: Recreational Vehicle	73	0.6
C: Bus	35	0.3
D: Single Unit Truck	412	3.5
E: Tractor Trailer Unit	422	3.6
ASDT	12410	AADT
		11820

East On 27		
Vehicle Type	Vol	%
A: Passenger Vehicle	6718	88.9
B: Recreational Vehicle	49	0.6
C: Bus	39	0.5
D: Single Unit Truck	306	4.0
E: Tractor Trailer Unit	448	5.9
ASDT	7940	AADT
		7560

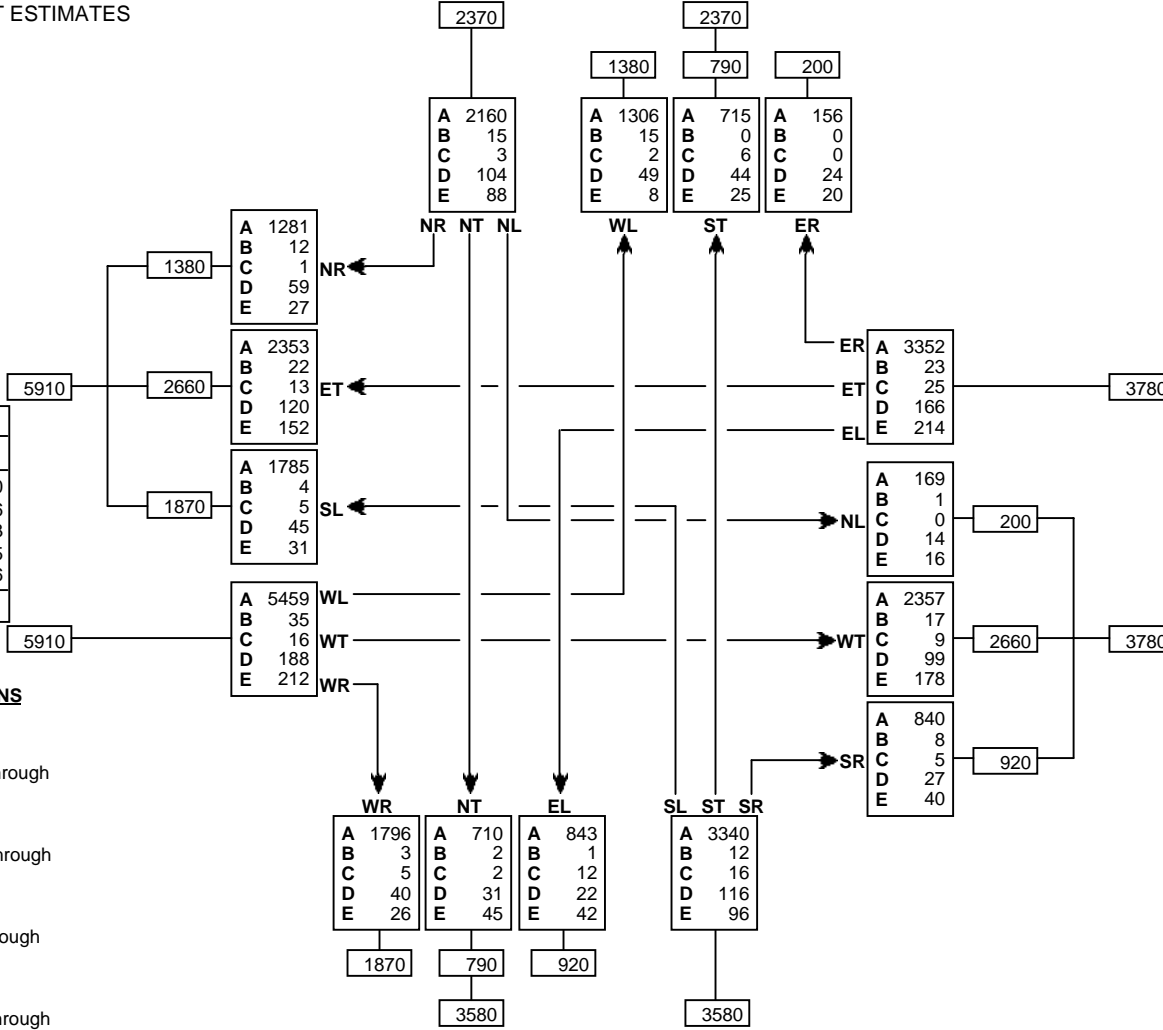
South On 2A		
Vehicle Type	Vol	%
A: Passenger Vehicle	6689	93.4
B: Recreational Vehicle	18	0.3
C: Bus	35	0.5
D: Single Unit Truck	209	2.9
E: Tractor Trailer Unit	209	2.9
ASDT	7520	AADT
		7160

TURNING MOVEMENT ABBREVIATIONS

- NR: Traffic From North Turning Right
- NL: Traffic From North Turning Left
- NT: Traffic From North Proceeding Through
- SR: Traffic From South Turning Right
- SL: Traffic From South Turning Left
- ST: Traffic From South Proceeding Through
- ER: Traffic From East Turning Right
- EL: Traffic From East Turning Left
- ET: Traffic From East Proceeding Through
- WR: Traffic From West Turning Right
- WL: Traffic From West Turning Left
- WT: Traffic From West Proceeding Through

TURNING MOVEMENT ABBREVIATIONS

- AADT: Average Annual Daily Traffic
Average daily traffic expressed as vehicles per day for period of January 1 to December 31 (365 days)
- ASDT: Average Summer Daily Traffic
Average daily traffic expressed as vehicles per day for period of May 1 to September 30 (153 days)



Turning Movement Summary Diagram

Reference No.: 990133

Intersection of:
2A & 27 AT OLDS

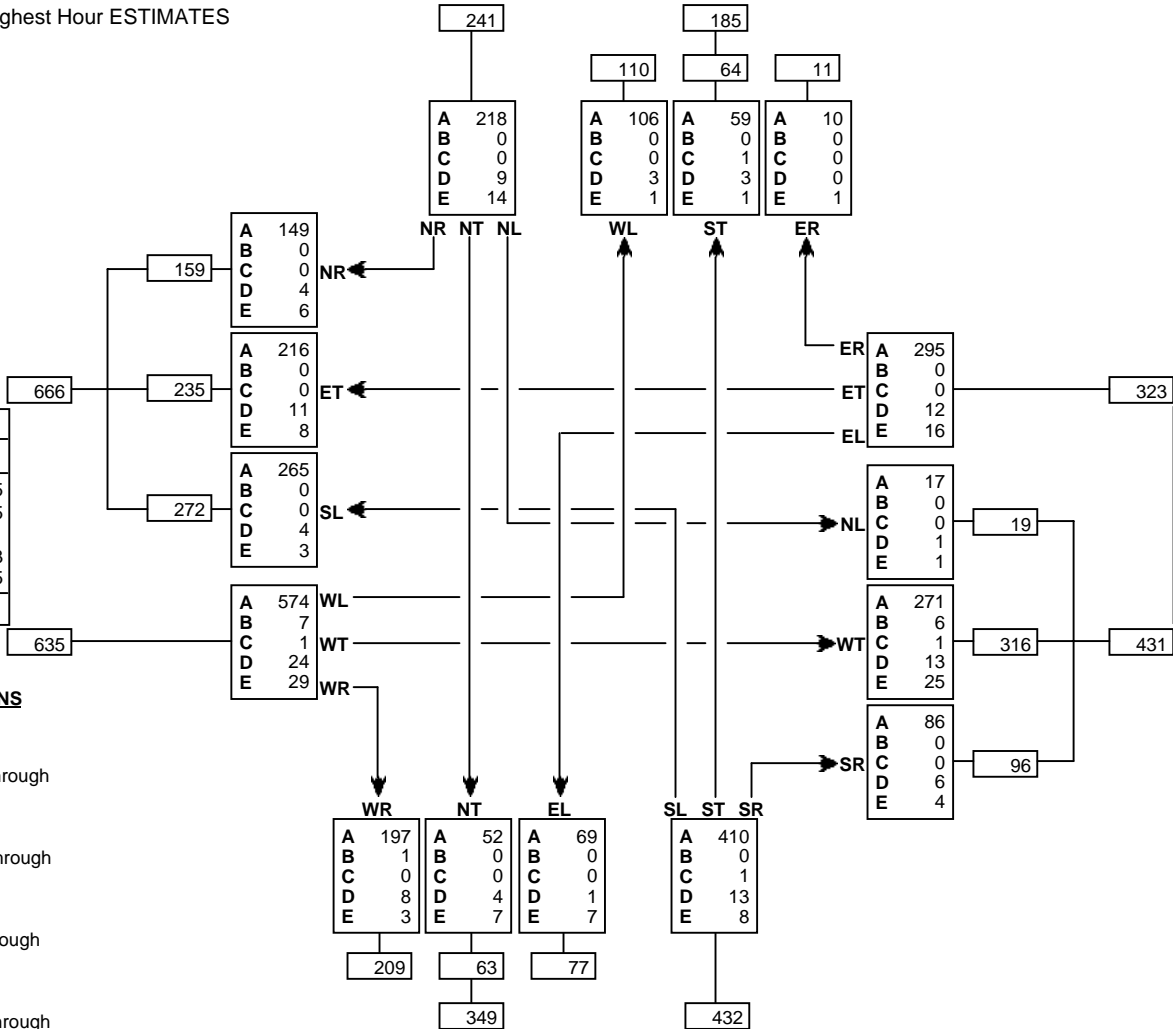
2015 a.m. 100th Highest Hour ESTIMATES

North On 2A		
Vehicle Type	Vol	%
A: Passenger Vehicle	393	92.3
B: Recreational Vehicle	0	0.0
C: Bus	1	0.2
D: Single Unit Truck	15	3.5
E: Tractor Trailer Unit	17	4.0
Total	426	

West On 27		
Vehicle Type	Vol	%
A: Passenger Vehicle	1204	92.5
B: Recreational Vehicle	7	0.5
C: Bus	1	0.1
D: Single Unit Truck	43	3.3
E: Tractor Trailer Unit	46	3.5
Total	1301	

East On 27		
Vehicle Type	Vol	%
A: Passenger Vehicle	669	88.7
B: Recreational Vehicle	6	0.8
C: Bus	1	0.1
D: Single Unit Truck	32	4.2
E: Tractor Trailer Unit	46	6.1
Total	754	

South On 2A		
Vehicle Type	Vol	%
A: Passenger Vehicle	728	93.2
B: Recreational Vehicle	1	0.1
C: Bus	1	0.1
D: Single Unit Truck	26	3.3
E: Tractor Trailer Unit	25	3.2
Total	781	



TURNING MOVEMENT ABBREVIATIONS

- NR: Traffic From North Turning Right
- NL: Traffic From North Turning Left
- NT: Traffic From North Proceeding Through
- SR: Traffic From South Turning Right
- SL: Traffic From South Turning Left
- ST: Traffic From South Proceeding Through
- ER: Traffic From East Turning Right
- EL: Traffic From East Turning Left
- ET: Traffic From East Proceeding Through
- WR: Traffic From West Turning Right
- WL: Traffic From West Turning Left
- WT: Traffic From West Proceeding Through

Turning Movement Summary Diagram

Reference No.: 990133

Intersection of:
2A & 27 AT OLDS

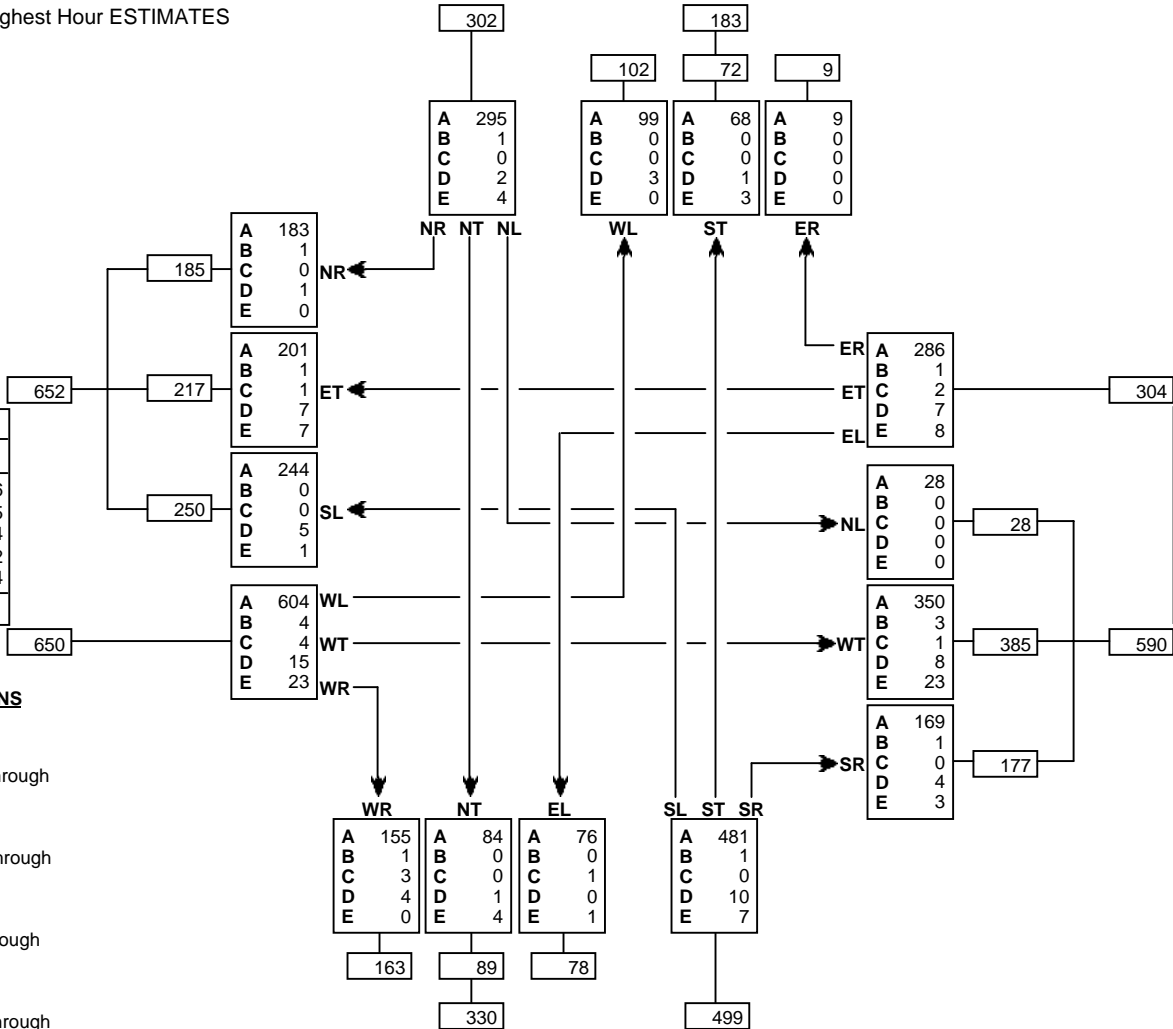
2015 p.m. 100th Highest Hour ESTIMATES

North On 2A		
Vehicle Type	Vol	%
A: Passenger Vehicle	471	97.1
B: Recreational Vehicle	1	0.2
C: Bus	0	0.0
D: Single Unit Truck	6	1.2
E: Tractor Trailer Unit	7	1.4
Total	485	

West On 27		
Vehicle Type	Vol	%
A: Passenger Vehicle	1232	94.6
B: Recreational Vehicle	6	0.5
C: Bus	5	0.4
D: Single Unit Truck	28	2.2
E: Tractor Trailer Unit	31	2.4
Total	1302	

East On 27		
Vehicle Type	Vol	%
A: Passenger Vehicle	833	93.2
B: Recreational Vehicle	5	0.6
C: Bus	3	0.3
D: Single Unit Truck	19	2.1
E: Tractor Trailer Unit	34	3.8
Total	894	

South On 2A		
Vehicle Type	Vol	%
A: Passenger Vehicle	796	96.0
B: Recreational Vehicle	2	0.2
C: Bus	4	0.5
D: Single Unit Truck	15	1.8
E: Tractor Trailer Unit	12	1.4
Total	829	



TURNING MOVEMENT ABBREVIATIONS

- NR: Traffic From North Turning Right
- NL: Traffic From North Turning Left
- NT: Traffic From North Proceeding Through
- SR: Traffic From South Turning Right
- SL: Traffic From South Turning Left
- ST: Traffic From South Proceeding Through
- ER: Traffic From East Turning Right
- EL: Traffic From East Turning Left
- ET: Traffic From East Proceeding Through
- WR: Traffic From West Turning Right
- WL: Traffic From West Turning Left
- WT: Traffic From West Proceeding Through